

IGLOO - Nano Starter Kit

Actel IGLOO NANO FPGA AGLN250V2-VQG100 Starter Kit

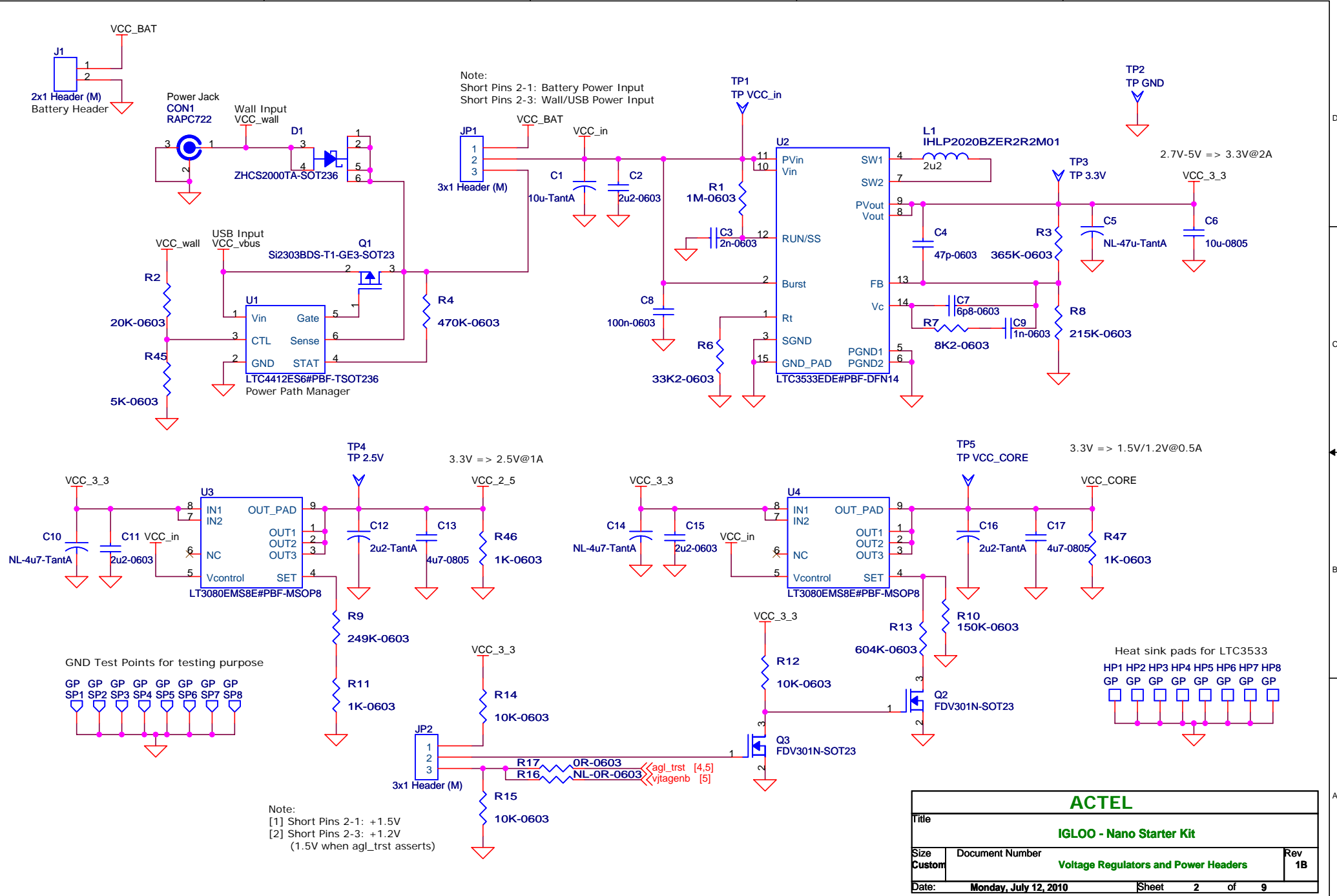
Index

- Sheet #01 - Cover Page
- Sheet #02 - Voltage Regulators and Power Headers
- Sheet #03 - Current Measurement Headers
- Sheet #04 - Actel AGLN250V2-VQG100 FPGA
- Sheet #05 - JTAG, Reset, Clock and Flash Freeze
- Sheet #06 - LED, Push Button and DIP Switches
- Sheet #07 - USB-to-UART
- Sheet #08 - GPIO Headers
- Sheet #09 - Manufacturing Points

www.actel.com
Actel Technical Support: +1 (800) 262-1060

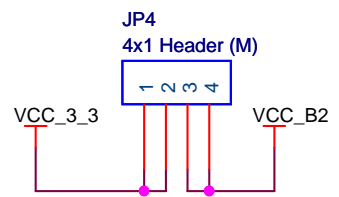
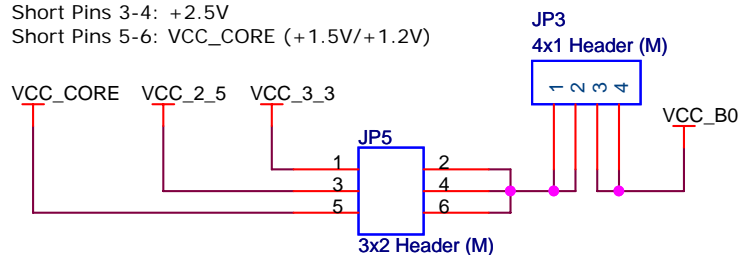
Copyright (C) 2008 Actel. All rights reserved.

Project Name:	
IGLOO - Nano Starter Kit	
Rev	Part Number:
1B	ACTEL: DVP-102-000272-001 PACTRON: 305-PD-10-XXX
Originator:	
GHURU KUMARAVELU	
Size	Date:
A	Monday, July 12, 2010
Sheet 1 of 9	

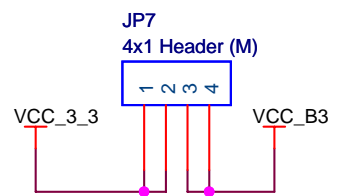
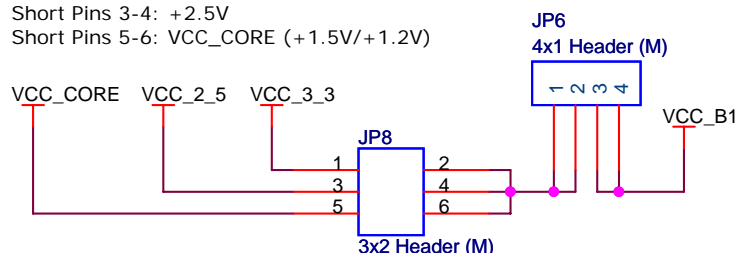


ACTEL		
IGLOO - Nano Starter Kit		
Size	Document Number	Rev
Custom	Voltage Regulators and Power Headers	1B
Date:	Monday, July 12, 2010	Sheet 2 of 9

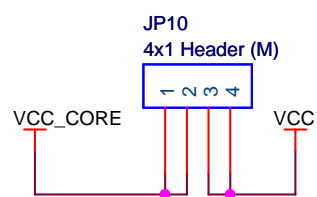
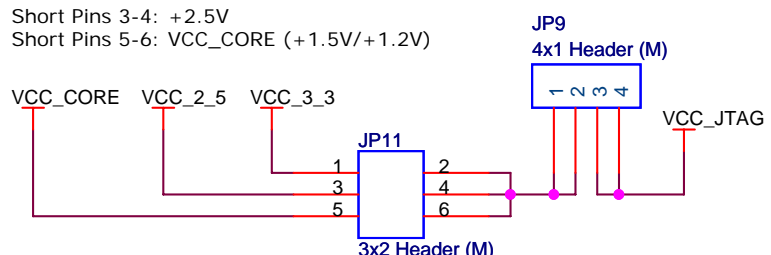
Note:
 Short Pins 1-2: +3.3V
 Short Pins 3-4: +2.5V
 Short Pins 5-6: VCC_CORE (+1.5V/+1.2V)



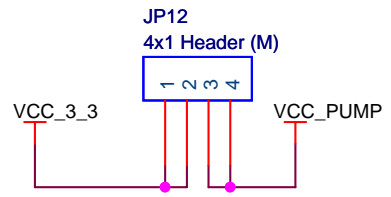
Note:
 Short Pins 1-2: +3.3V
 Short Pins 3-4: +2.5V
 Short Pins 5-6: VCC_CORE (+1.5V/+1.2V)



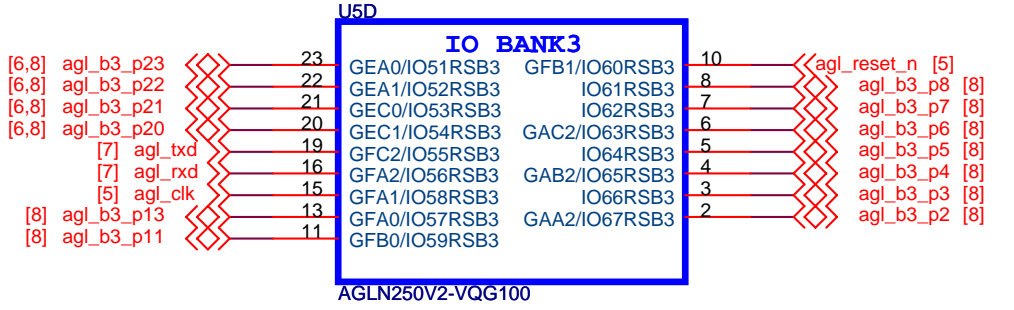
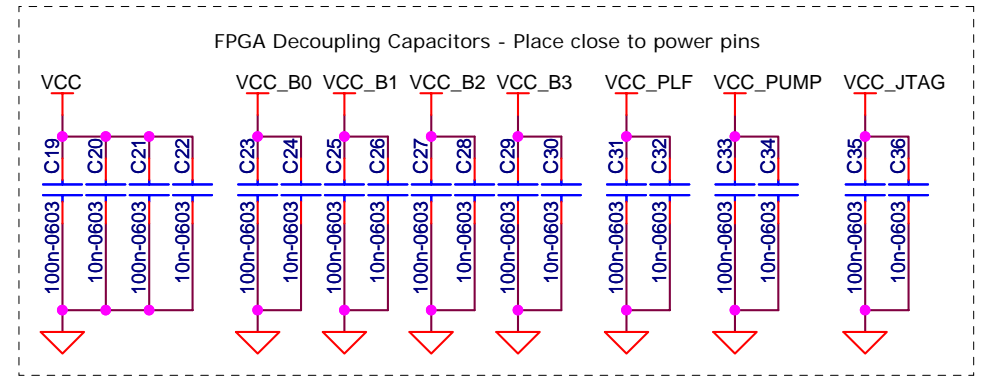
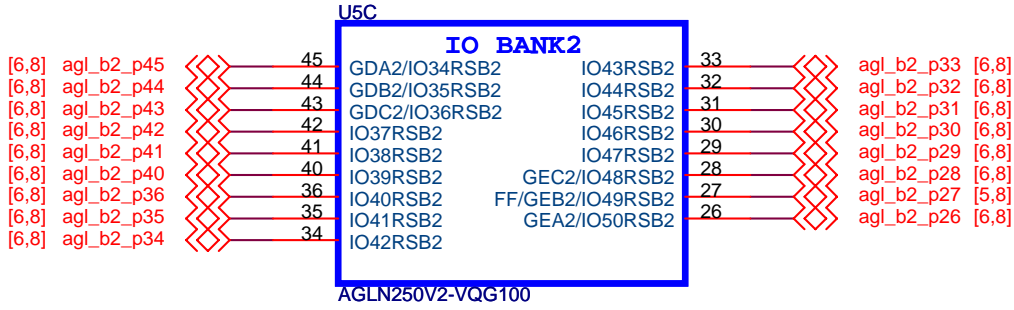
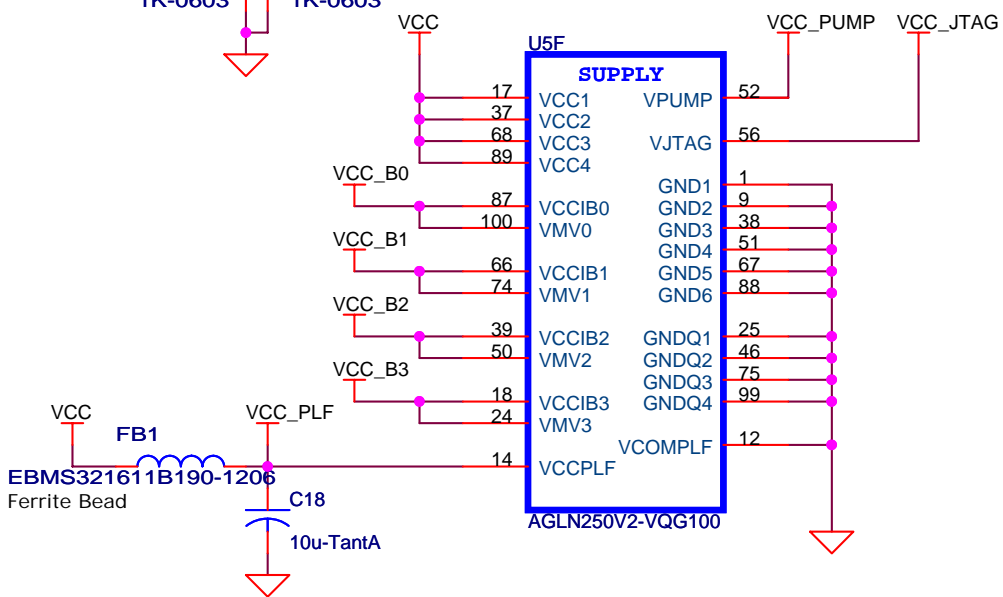
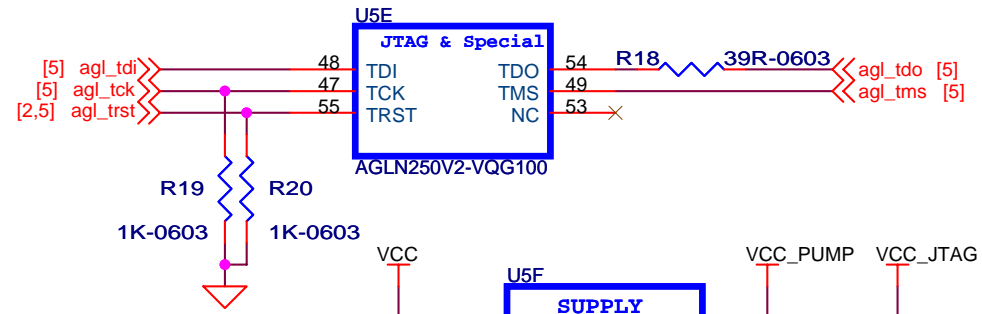
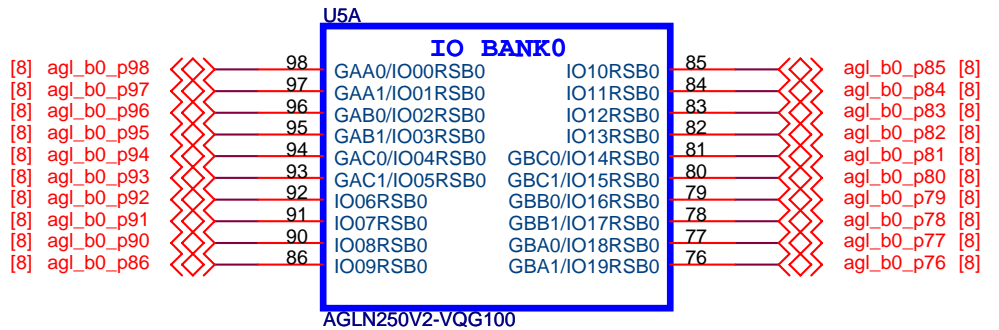
Note:
 Short Pins 1-2: +3.3V
 Short Pins 3-4: +2.5V
 Short Pins 5-6: VCC_CORE (+1.5V/+1.2V)



Note:
 Current Measurement Jumpers:
 Short Pins 2-3 for normal operation.



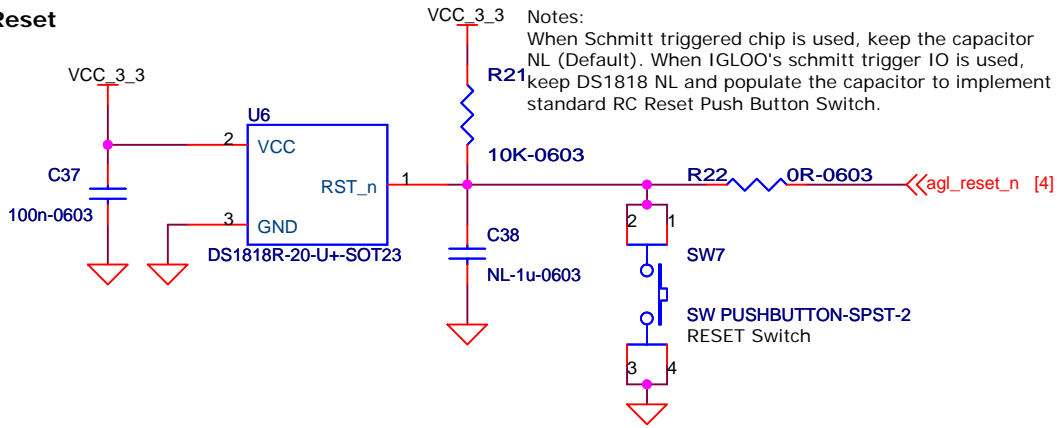
ACTEL		
Title IGLOO - Nano Starter Kit		
Size A	Document Number Current Measurement Headers	Rev 1B
Date: Monday, July 12, 2010 Sheet 3 of 9		



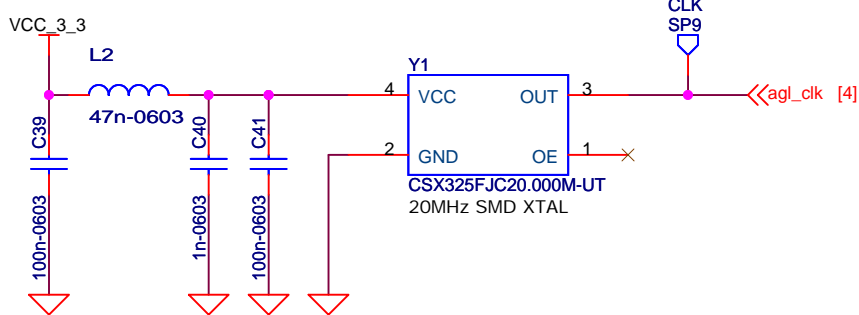
agl_b2_p27 << agl_ff [5,8]

ACTEL			
IGLOO - Nano Starter Kit			
Size A	Document Number	Actel AGLN250V2-VQG100 FPGA	
Date:	Monday, July 12, 2010	Sheet	4 of 9

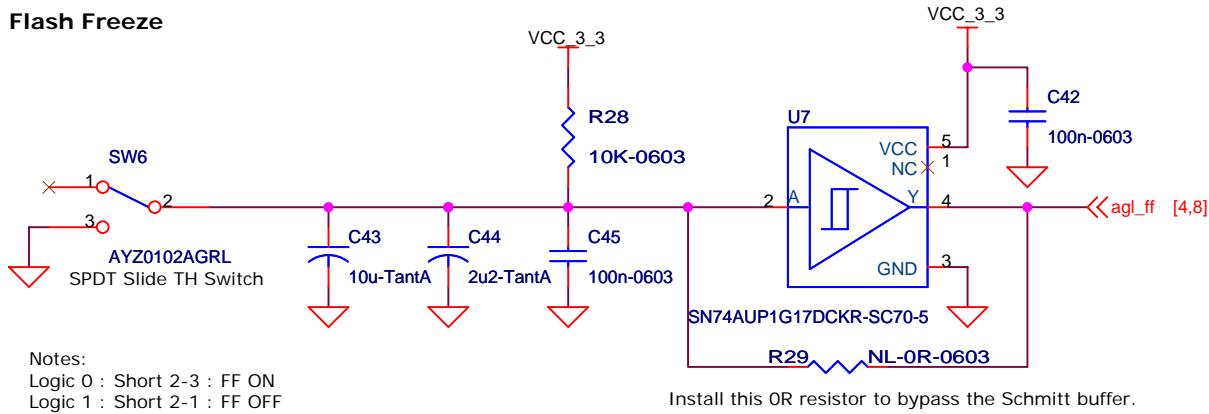
Reset



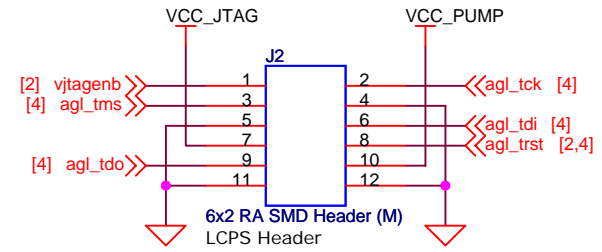
Clock Oscillator



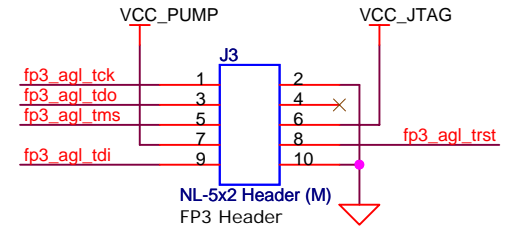
Flash Freeze



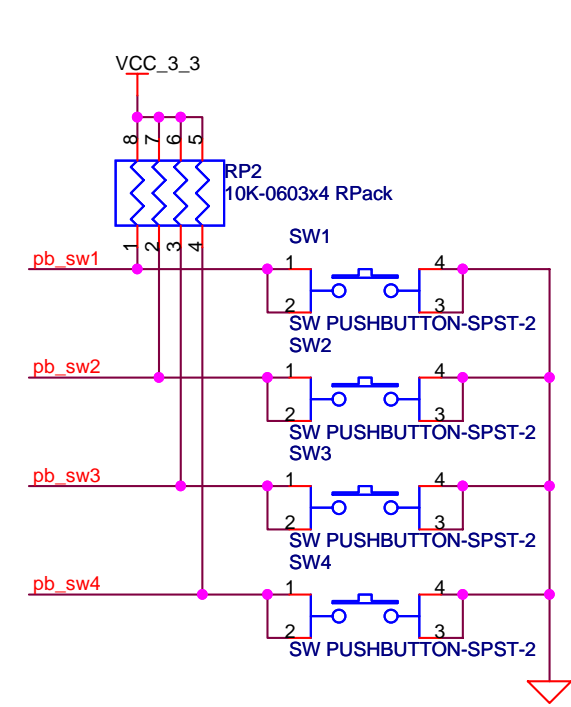
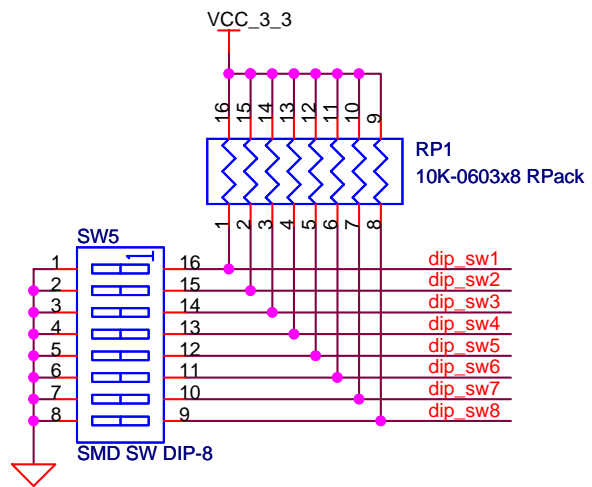
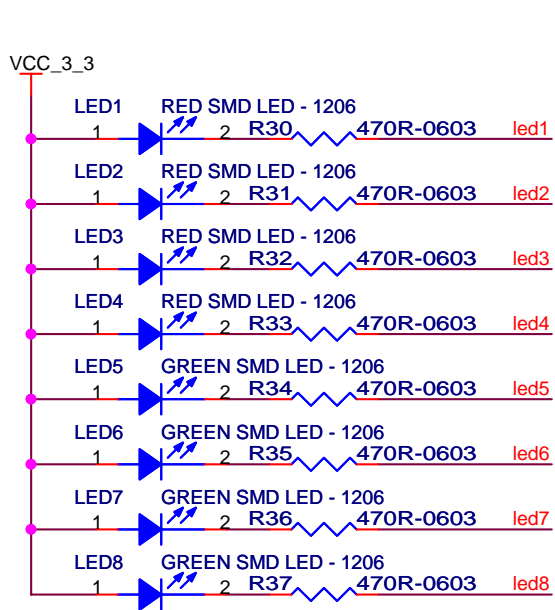
FPGA Programming Headers



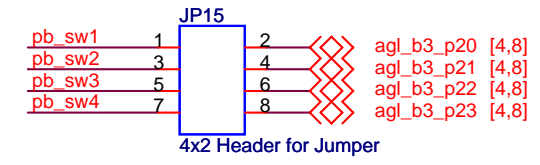
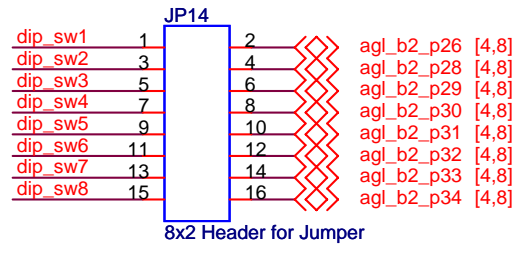
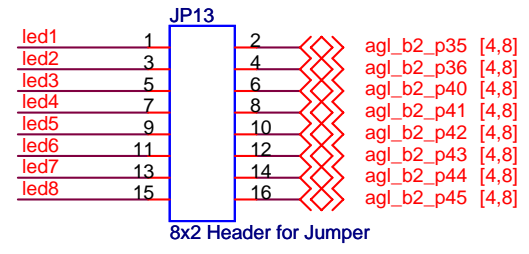
Note:
Place these isolation resistors close to the LCPS Header so that stub length on JTAG lines is reduced when the entire FP3 interface is NL along with the isolation resistors (Default).



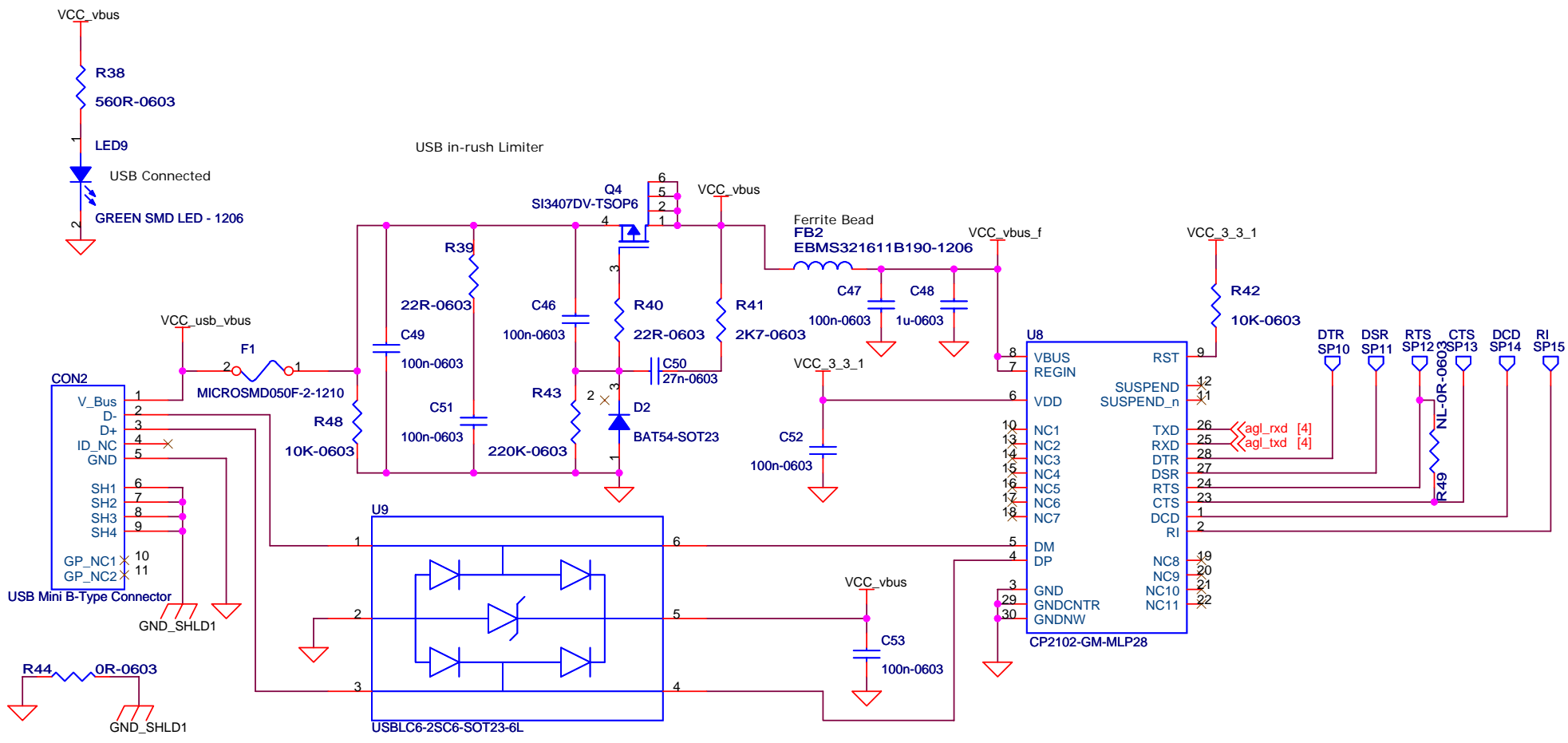
ACTEL		
Title IGLOO - Nano Starter Kit		
Size Custom	Document Number JTAG, Reset, Clock and Flash Freeze	Rev 1B
Date:	Monday, July 12, 2010	Sheet 5 of 9



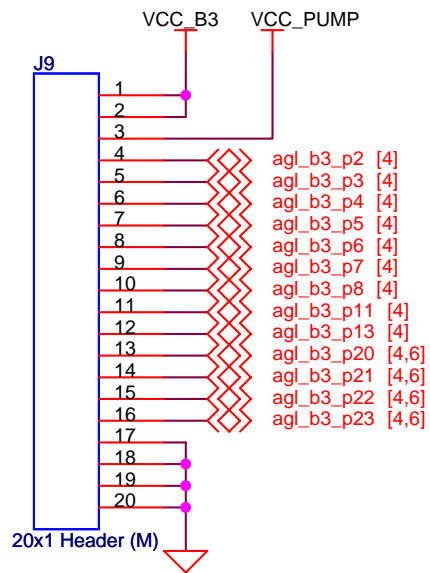
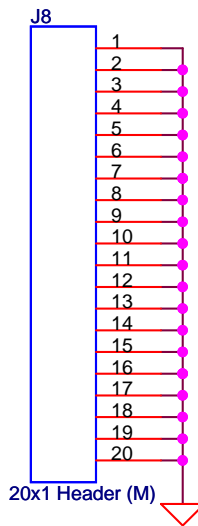
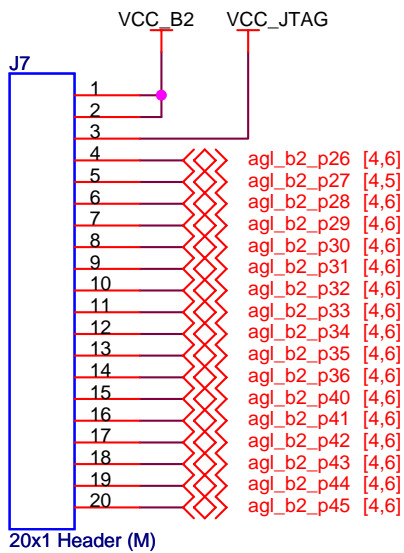
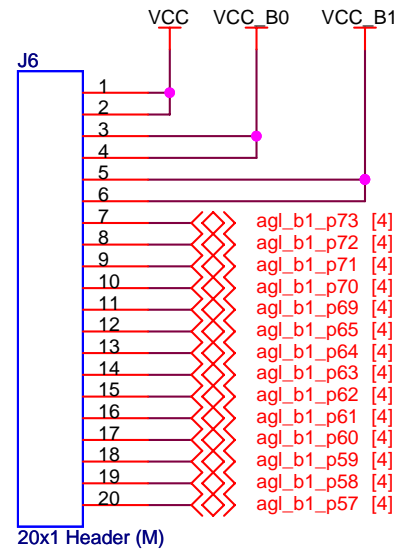
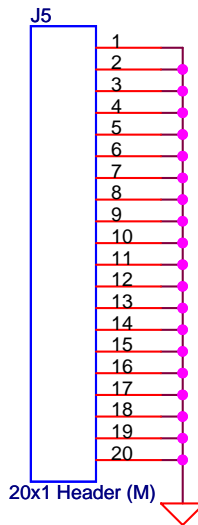
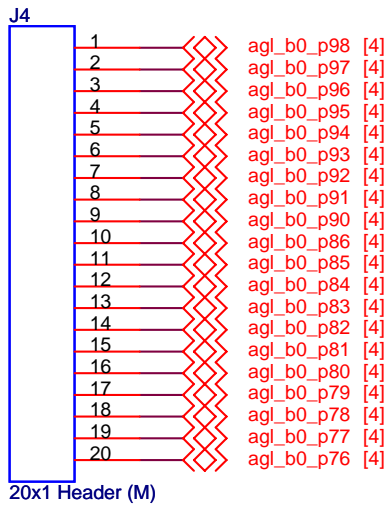
Note:
Remove Jumper from these headers to detach the peripheral from the FPGA IO and use the header IO.



ACTEL		
Title IGLOO - Nano Starter Kit		
Size A	Document Number LED, Push Button and DIP Switches	Rev 1B
Date: Monday, July 12, 2010 Sheet 6 of 9		





ACTEL		
Title		
IGLOO - Nano Starter Kit		
Size	Document Number	Rev
Custom	USB-to-UART	1B
Date:	Monday, July 12, 2010	Sheet 7 of 9

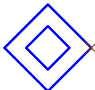
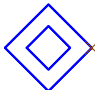

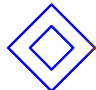


ACTEL		
Title IGLOO - Nano Starter Kit		
Size A	Document Number GPIO Headers	Rev 1B
Date: Monday, July 12, 2010 Sheet 8 of 9		





Shorting Links for Jumpers

SL1 Shorting Link 	SL2 Shorting Link 	SL3 Shorting Link 	SL4 Shorting Link 
SL5 Shorting Link 	SL6 Shorting Link 	SL7 Shorting Link 	SL8 Shorting Link 
SL9 Shorting Link 	SL10 Shorting Link 	SL11 Shorting Link 	SL12 Shorting Link 
SL13 Shorting Link 	SL14 Shorting Link 	SL15 Shorting Link 	SL16 Shorting Link 
SL17 Shorting Link 	SL18 Shorting Link 	SL19 Shorting Link 	SL20 Shorting Link 
SL21 Shorting Link 	SL22 Shorting Link 	SL23 Shorting Link 	SL24 Shorting Link 
SL25 Shorting Link 	SL26 Shorting Link 	SL27 Shorting Link 	SL28 Shorting Link 
SL29 Shorting Link 	SL30 Shorting Link 	SL31 Shorting Link 	SL32 Shorting Link 





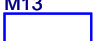
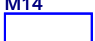
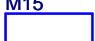
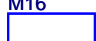
Board fiducials

M1  Fiducial	M2  Fiducial	M3  Fiducial	M4  Fiducial
---	---	---	---

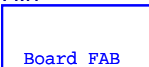
FPGA fiducials

M5  Fiducial	M6  Fiducial	M7  Fiducial	M8  Fiducial
---	---	---	---

Board Stand Offs


M9  Mounting-Hole	M10  Mounting-Hole	M11  Mounting-Hole	M12  Mounting-Hole
M13  Rubber_Foot	M14  Rubber_Foot	M15  Rubber_Foot	M16  Rubber_Foot

FM1



Board FAB

CB1



USB 2.0 Mini-B to Standard-A Cable

ACTEL		
Title		
IGLOO - Nano Starter Kit		
Size A	Document Number Manufacturing Points	Rev 1B
Date: Monday, July 12, 2010	Sheet 9	of 9